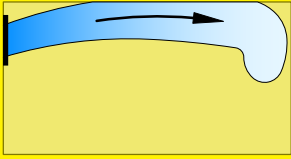


Domestic grilles

DOMESTIC GRILLES

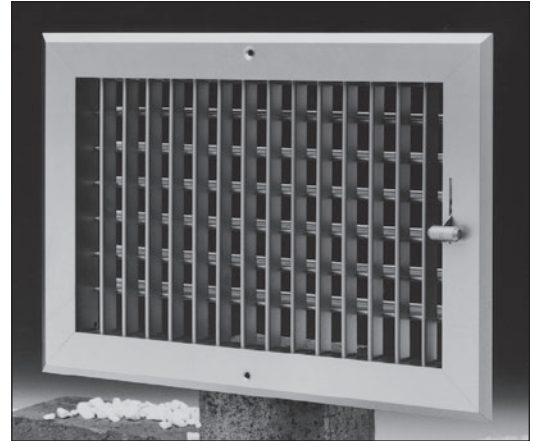
introduction



The SD/MD range of single deflection grilles have been specifically designed for domestic usage or other applications where occupants need to regulate the air flow rate.

The units incorporate a set of rear damper blades which are easily adjustable from the face operated lever, giving very low leakage levels in the closed position.

The grilles can be supplied with either horizontal or vertical adjustable blades. Alternatively, other forms of fixed blade core can be supplied to suit architectural requirements.



type

SDV / MD - SDH / MD

options

For all additional available options, border styles, fixings, finishes and plenums see document **PART L**

fixings

Standard fixing method is by countersunk screw through the flange - SC

finish

Standard finish is satin anodised aluminium -SAA

sizes

The domestic grille can be supplied in sizes ranging from 150mm x 100mm, increasing in 25mm increments to a maximum of 500 x 300 (SDV) or 300 x 300 (SDH).

selection

Selection of the SD/MD grille should be based on the SD/DD nomogram on page 4 Sect 1 **PART B**. Fixed blade versions such as the F1N and F15N etc should use the nomogram appropriate to the core type.

ordering details

example:

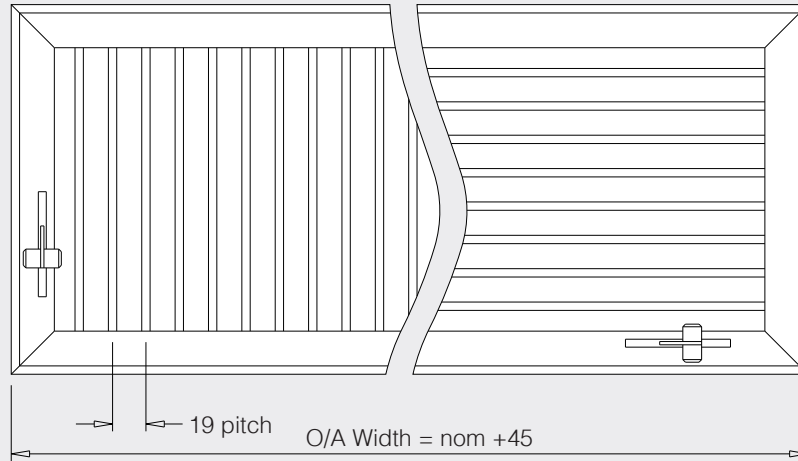
type	border	fixing	finish	width	height	quantity
SDV / MD	/ 32	/ SC	/ SAA	/ 300	/ 200	/ 6

Domestic grilles

DIMENSIONS

SDV/MD

SDH/MD



SDV/MD

F15N/MD

