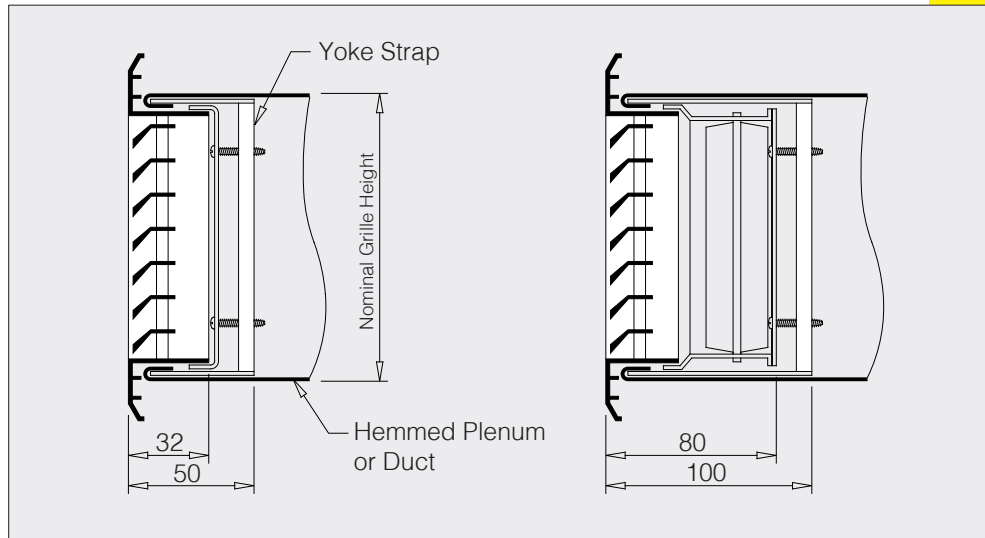


Optional grille fixings

FIXINGS

type YF

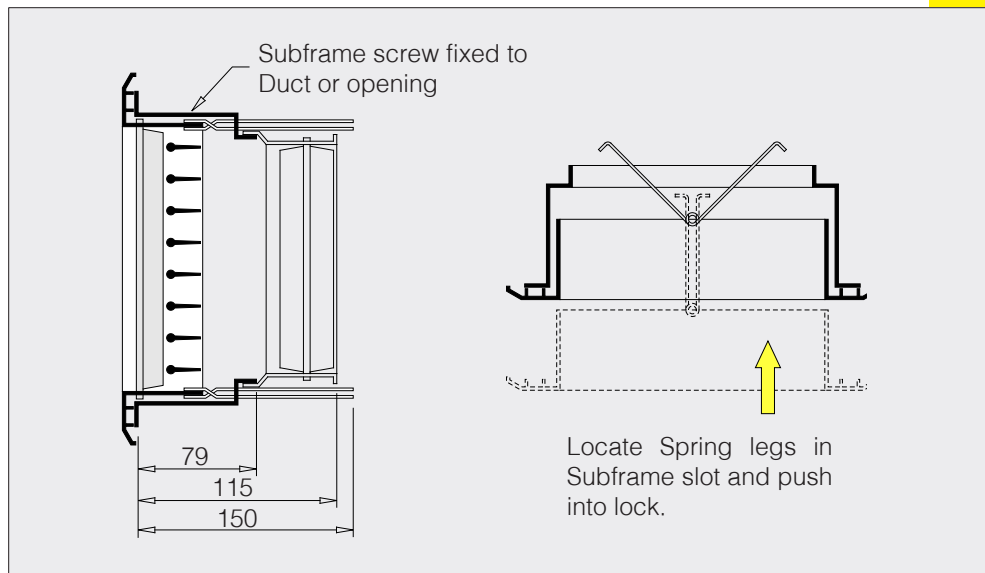


YOKE FIXING

Yoke fixings are available as an option on all grille and grille/damper assemblies and provide a convenient concealed fixing method when used with Brooke Air plenums or hemmed ductwork.

The self tapping screws provided with the yoke brackets enable the hemmed edge of the plenum or duct to be pulled taut to the grille flange but will also accommodate moderate misalignment between the plenum and wall or ceiling.

type TS



TORSION SPRING

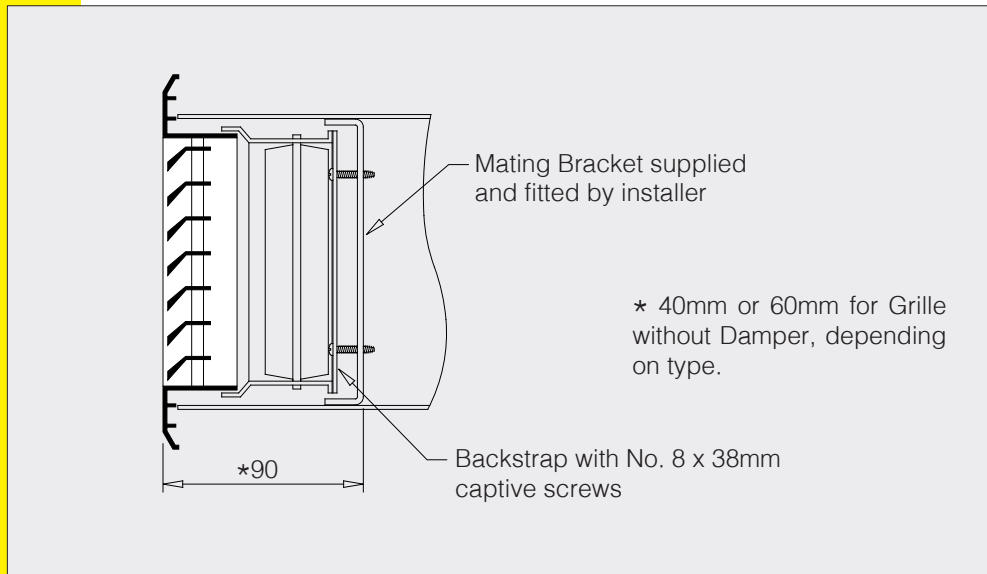
Torsion springs are available as an optional concealed fixing method with fixed core grilles or where yoke straps or backstraps would be otherwise inaccessible.

Due to weight limitations their usage is restricted to grille sizes up to 600mm x 300mm. Grilles are supplied with a subframe which retains the torsion spring and also provides a mounting for the damper (where fitted).

Optional grille fixings

FIXINGS

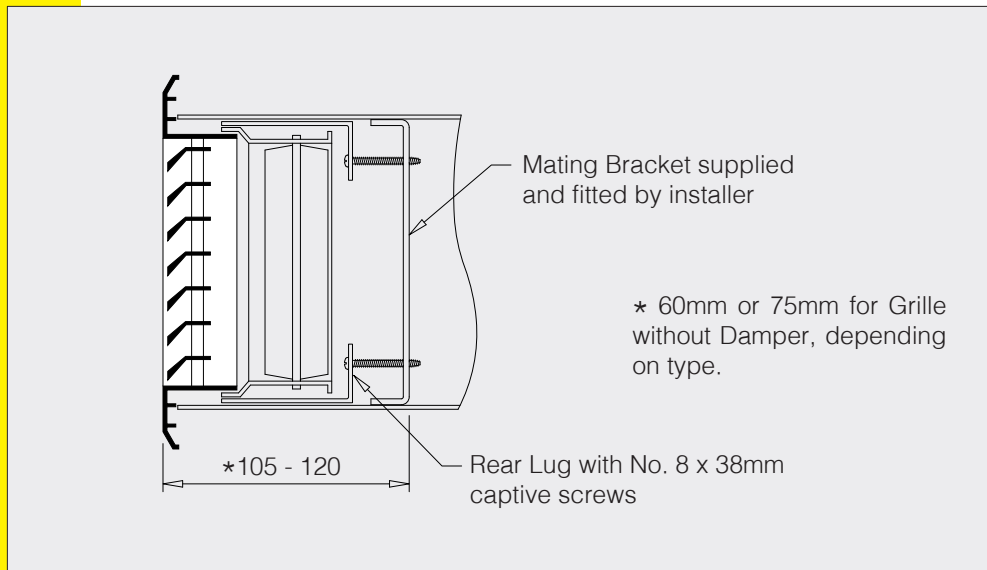
type BST



BACKSTRAP

The backstrap fixing method is similar to the yoke strap but requires a suitable mating bracket to be fitted in the plenum or duct by the installer. The backstrap is supplied ready fixed to the grille and is complete with No. 8 x 38mm captive self tapping screws.

type RL



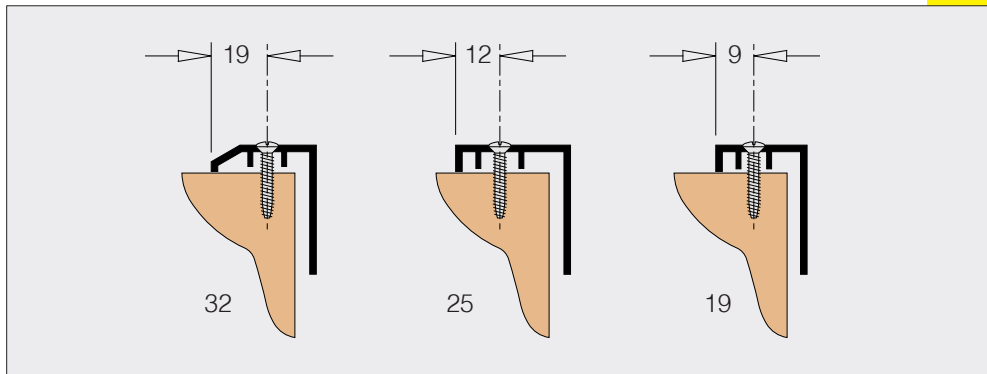
REAR LUGS

The rear lug fixing method is similar to the yoke strap but requires a suitable mating bracket to be fitted in the plenum or duct by the installer. The rear lugs are supplied ready fixed to the grille and are complete with No. 8 x 38mm captive self tapping screws.

Border and core fixings

CORE FIXING

type SC

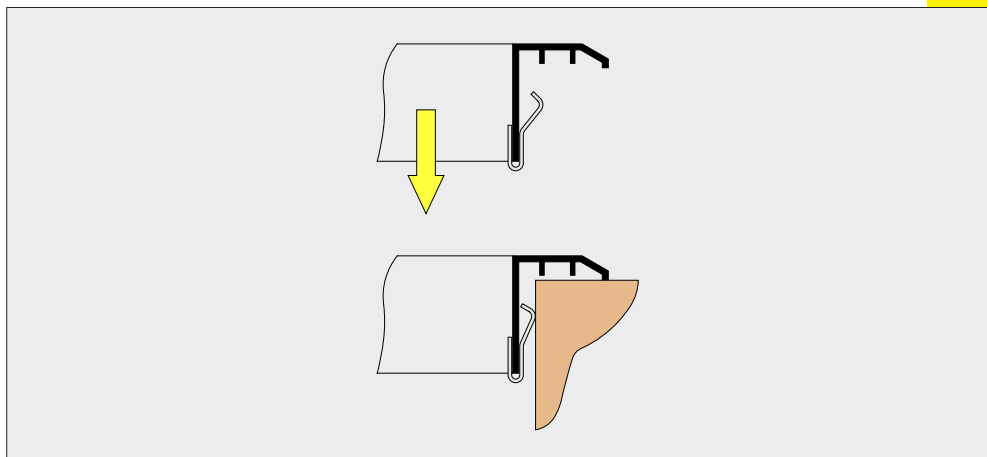


SCREW

Border flanges are countersunk as standard to take No. 6 x 25mm raised head screws (supplied with grilles). Painted finishes are supplied with colour matched screws.

This fixing method is not suitable for the smaller 15mm and 16mm borders.

type SP



SPRING CLIP FIXING

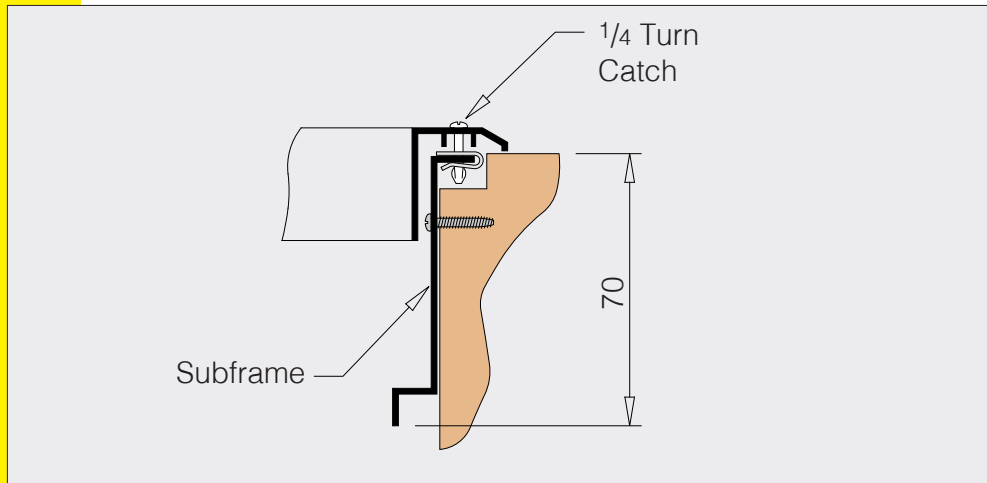
As an alternative to the standard screw fixing, most grilles within the range can be supplied with a, push fit spring fixing.

This method is not suitable for 15mm and 16mm flanges and should only be used on wall, cill and floor installations with a rigid timber or masonry aperture.

Border and core fixings

BORDER FIXING

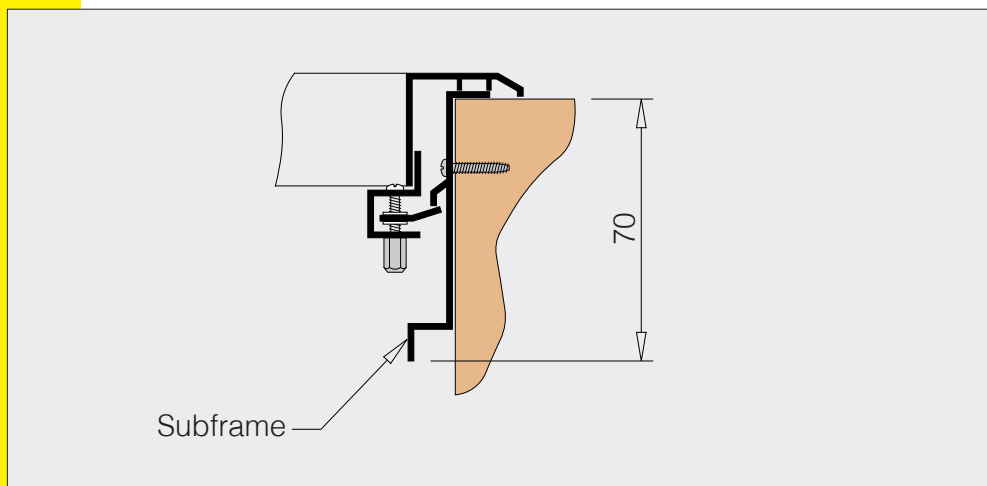
type CL



CONCEALED LATCH

The concealed latch fixing option is offered for applications requiring a positive fixing without any visible screw heads in the grille flange. The latches are accessed through the core blades and engage into slots in the concealed subframe.

type QR



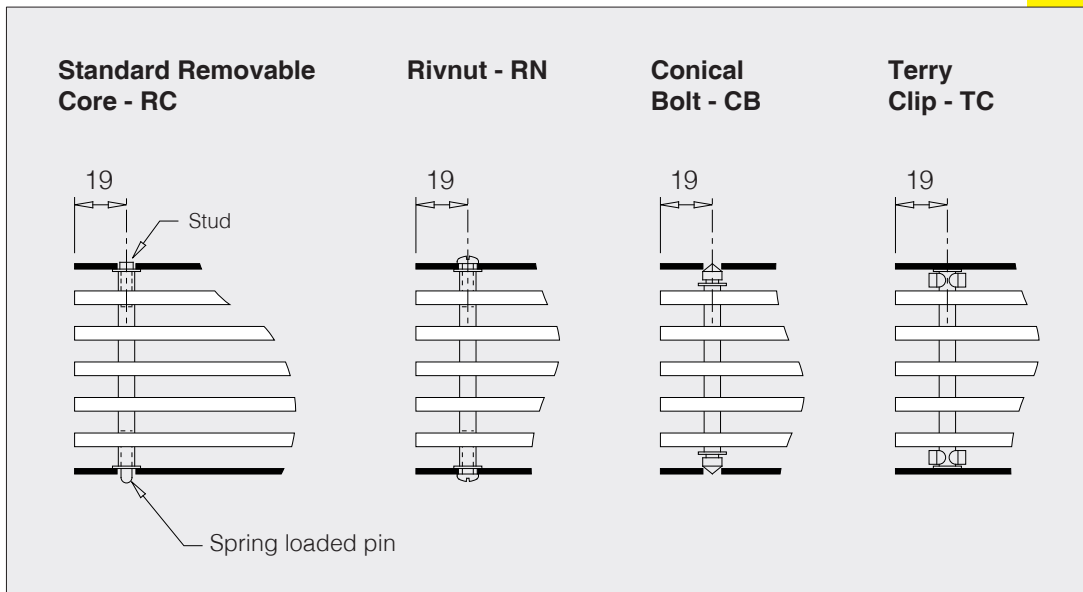
QUICK-RELEASE

Quick release fixings are offered as an option where access is required for periodic filter changes or grille cleaning. The quarter turn screw head catches are held captive in the border flange and engage into spire fixings on a concealed subframe. Quick release fixings are only suitable for 32mm flanges.

Border and core fixings

CORE FIXING

cores



REMOVABLE CORES

Removable cores are available as standard on RCSD and RCDD grilles, but can also be supplied as an option for most other types.

The standard form of removable core uses a spring loaded pin in the core tubes, but other forms such as screw fix, conical bolt or spring clip are also available.

Safety cords, with quick release ends can be supplied with removable cores where required, but should always be specified for ceiling installations.

border fixing positions

HEIGHT	Border fixing Position (Screw and Quick Release)	WIDTH
100 - 200		100 - 300
100 - 250		350 - 600
300 - 850		650 - 1100
900 - 1200		1150 - 1500

Border and core fixings

SUMMARY

table

GRILLE TYPE	BORDERS								FIXINGS											
	STD		OPTIONS						STANDARD			OPTIONS								
	32B	38S	32B	25S	19S	19B	16S	15B	SC	SP	RC	TS	RC	HC	Y	BS	QR	RN	CL	RL
SD	●		●	●	●	●	●	●	●	●		●			●	●	●		●	●
DD	●		●	●	●				●	●		●			●	●	●		●	●
HD		●							●			●			●	●	●			●
RCSD	●		●	●	●	●	●	●	●		●						●	●		
RCDD	●		●	●	●				●		●						●	●		
CD	●		●	●	●	●	●	●	●		●						●	●		
R	●		●	●	●	●	●	●	●	●			●	●	●	●	●	●	●	●
E5C - EXP - PER	●				●				●	●					●	●	●			●
E5C / RC	●										●		●		●	●	●			●
PER / RC	●								●		●				●	●	●			●
FB , FN	●		●	●	●	●	●	●	●	●			●	●	●	●	●		●	●
FR / FB	●			●					●	●	●				●	●	●	●		●
TG , T / TG																		●		
TG1 / TG2	●				●				●				●				●			
T / TG1 , T / TG2	●				●				●								●			
BV60									●								●			
SD / MD	●		●	●					●								●			
RGD , FLX											●									
PRV	●								●								●			
SL									●											

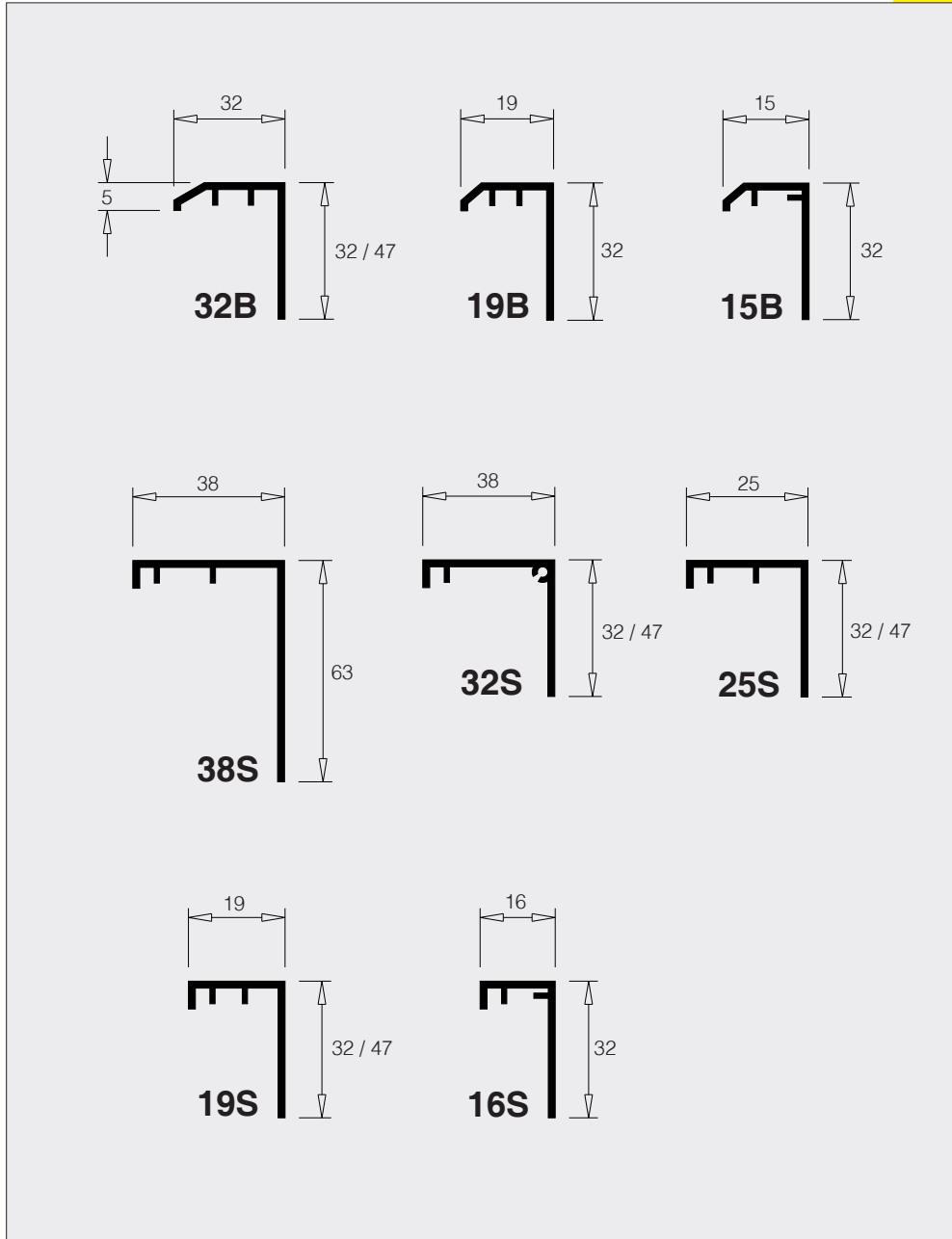
key

SC	SCREW
SP	SPRING
RC	REMOVABLE CORE
TS	TORSION SPRING
HC	HINGED CORE
Y	YOKE
BST	BACK STRAP
QR	QUICK RELEASE
RN	RIVNUT
CL	CONCEALED LATCH
RL	REAR LUGS

Border and core fixings

SUMMARY

frame sections



Special Flanges/Borders can be manufactured to suit requirements